

## OPERATION

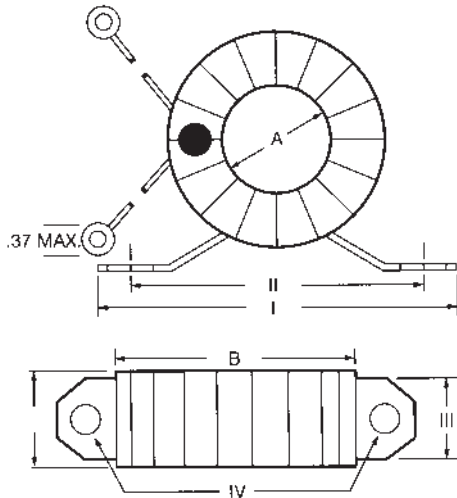
The CT Current Transformers are of the inserted primary type with the secondary toroidally wound over a core of oriented electrical steel. The windings are carefully insulated. The entire transformer is then dipped in PVC insulation compound which insures maximum protection against moisture, acids, alkaline, oils and abrasive particles. The securely fastened 24" 14 AWG leads are identified to the extent that the secondary current leaving the CT through the white lead is in phase with the primary current when the primary conductor enters the CT from the side identified by the black dot. To prevent shock and transformer damage, it is important that the secondary leads always form a continuous circuit when the current is flowing in the primary.

An External CT may be used to extend the range of the AC Current Monitors.

## DIMENSIONS (INCHES)

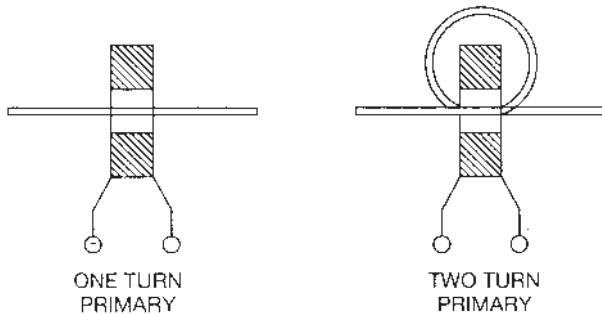
### SEE CHART

(2) #8 STUD RING



GROUP SIZE	A	B	C	I	II	III	IV
1	1-1/4	3-3/4	2-3/4	5-1/4	4	2-1/8	0.281 x 0.5
2	1-1/4	3-7/8	1-1/4	4-1/2	3-7/8	7/8	0.250 x 0.375
3	1-1/4	3-1/2	1-1/4	4-1/2	3-7/8	7/8	0.250 x 0.375
4	1-7/8	4	1-1/4	4-1/2	3-7/8	7/8	0.250 x 0.375
5	3-3/8	6-1/2	1-11/16	7-7/8	6-1/2	1-1/8	0.281 x .5

## WIRING



## Current Transformers

- 600 Volt Insulation
- 25 - 400 Hz Operation
- 25/5 to 2500/5 Amperes
- Optional Mounting Bracket (Add Suffix-B to part number)

## SPECIFICATIONS

MODEL	RATIO	CAPACITY	ACCURACY	GROUP SIZE	WEIGHT
CT-25/5	25/5	2 V.A.	6.00%	1	3 lb. 5 oz.
CT-50/5	50/5	2 V.A.	6.00%	2	1lb. 6 oz.
CT-100/5	100/5	2 V.A.	3.00%	3	1lb. 4.5 oz.
CT-200/5	200/5	2 V.A.	1.50%	3	15 oz.
CT-500/5	500/5	2 V.A.	.60%	3	1 lb. 1 oz.
CT-1000/5	1000/5	2 V.A.	.30%	4	3 lb.
CT-2500/5	2500/5	5 V.A.	.10%	5	3 lb. 4 oz.

### NOTES:

1. The current ratio in the table is the ratio of current in the primary/secondary with one turn on the primary. The ratio can be increased by adding turns on the primary.
2. The transformers may be installed at some distance from the load. However, the interconnecting conductor resistance must not cause the VA rating of the transformer to be exceeded.
3. CTs should not be operated at twice the rated currents. For example, CT-25/5 should not operate above 50/10 amps. With current too high overheating will occur.